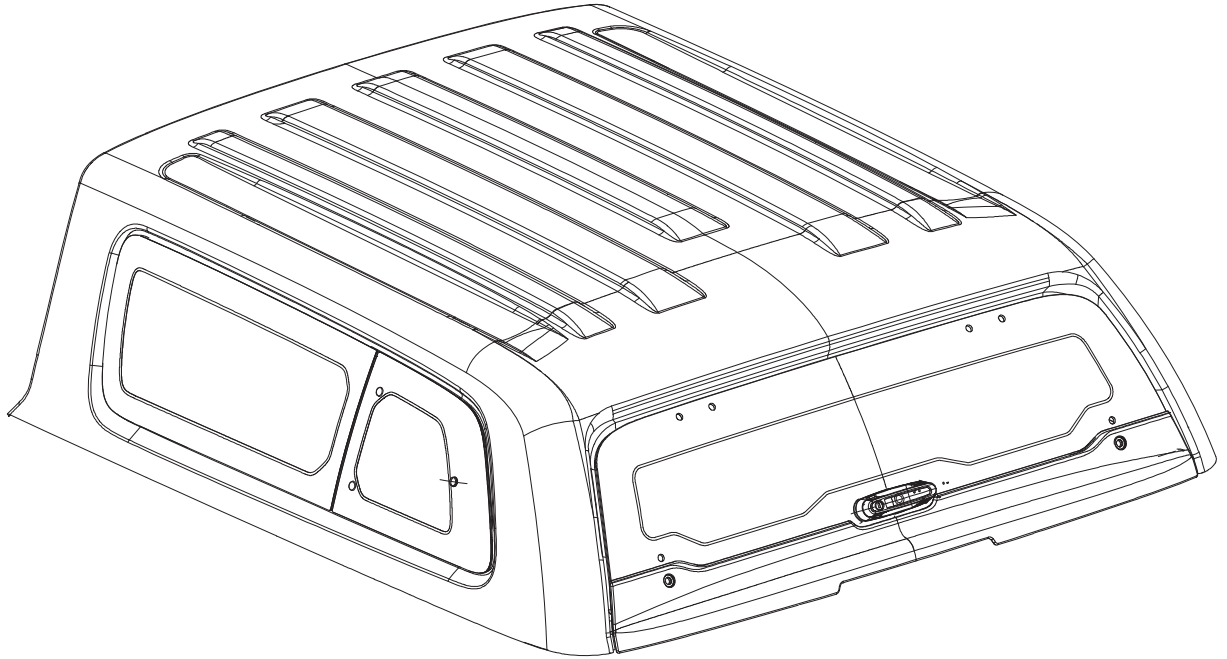


Part Number

VW AMAROK (2022→ ...)

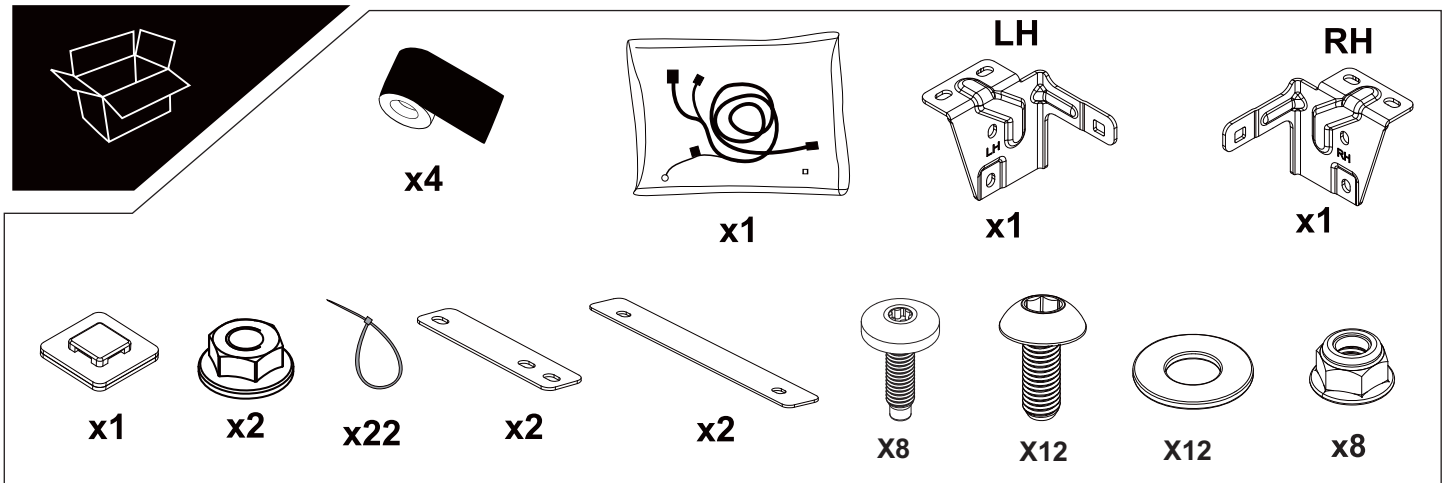
INSTALLATION MANUAL CANOPY ACA STYLISH VW AMAROK EU

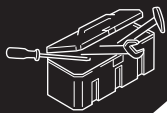


LIST OF PARTS

No.	PART NAME	Q.TY
1	Protective Tape	4
2	L-R front bracket	1LH & 1RH
3	Middle bracket	2
4	Rear bracket	2
5	Cabin hardness	1
6	Cable tie	22

	Torx screw M8x25 mm.	12
	Flange nylon lock nut M8	8
	Flange Nut M6	2
	Cable tie mount	1
	Washer M8	12
	FLANGE TORX SCREW M8x1.25x25 mm.	8

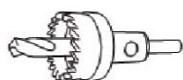
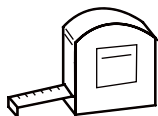
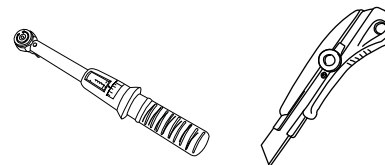




Soap water 3-5 %



No.T40



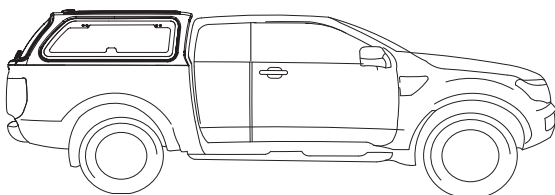
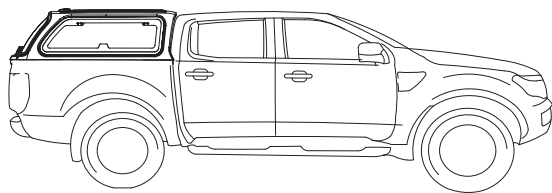
Ø 30



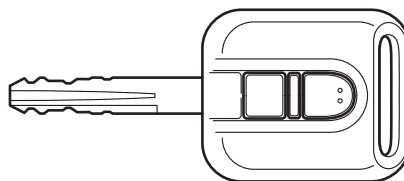
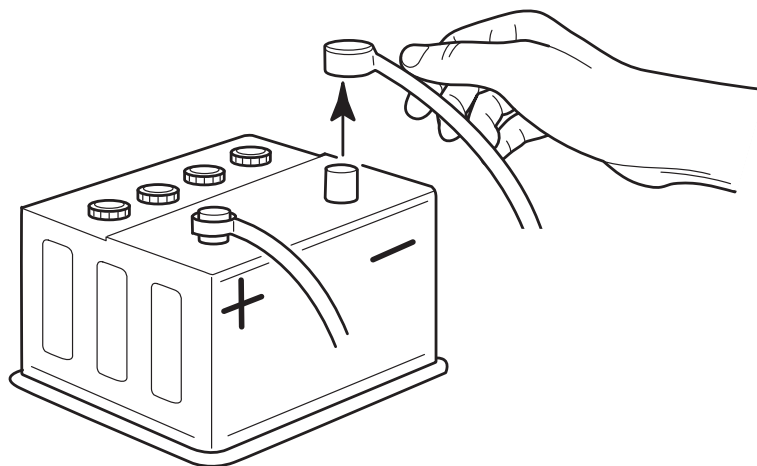
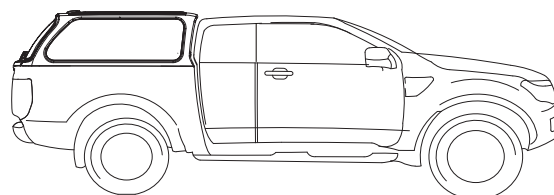
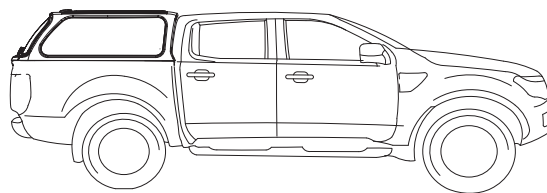
Wrench No.10



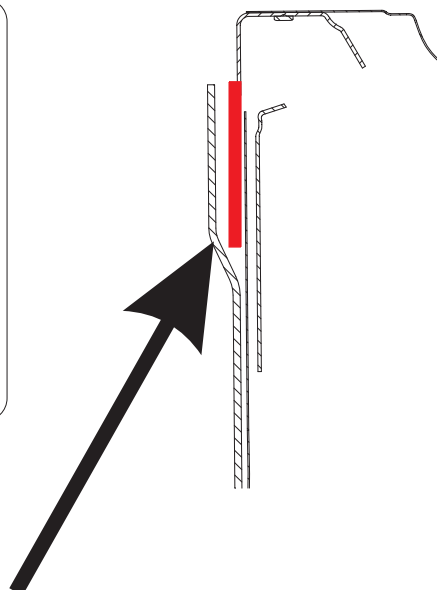
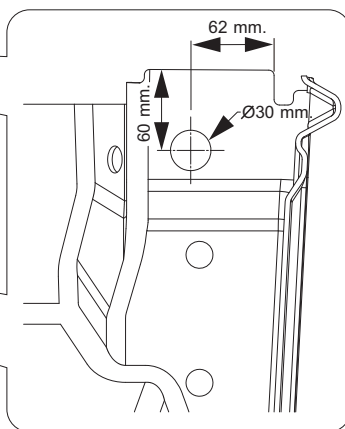
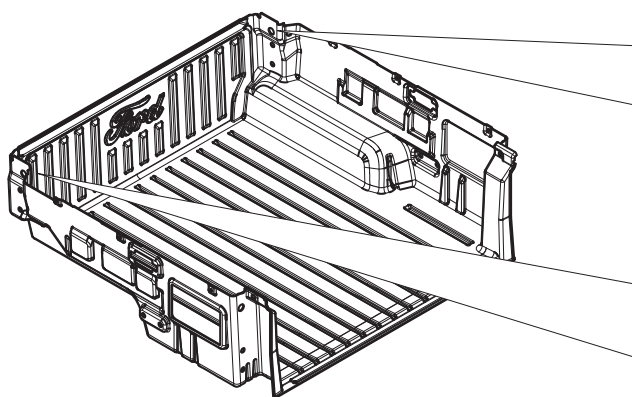
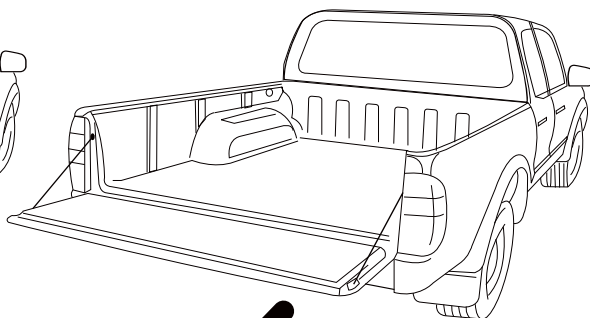
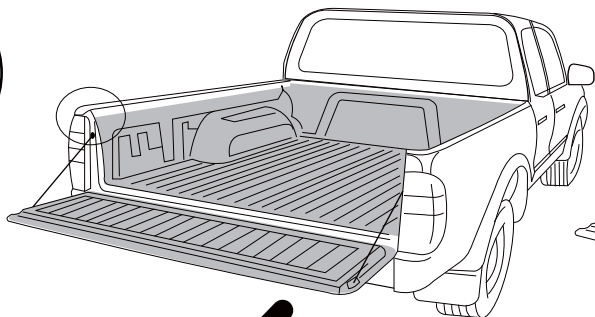
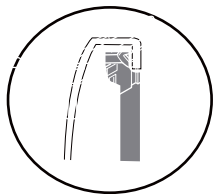
STYLISH




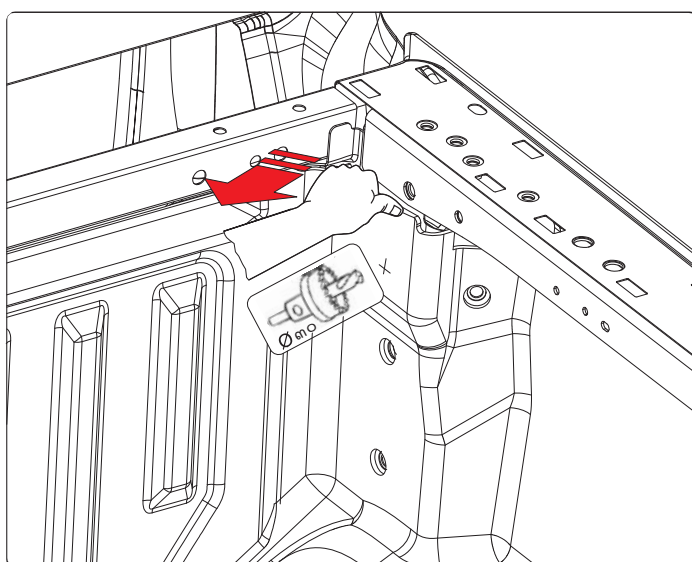
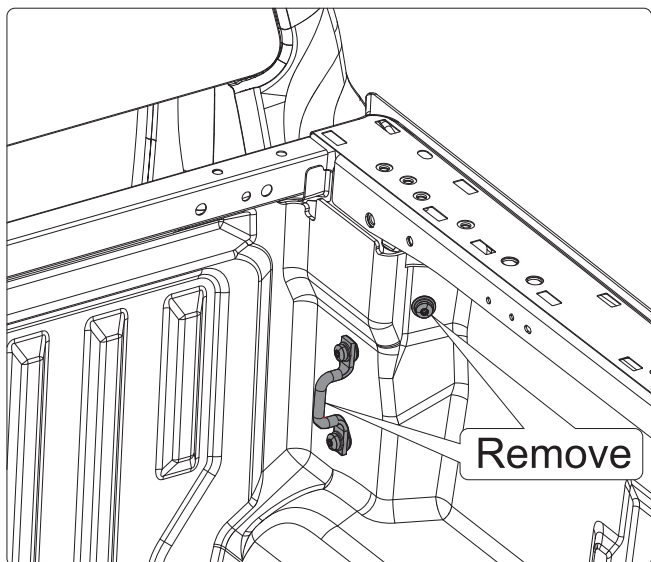
COMMERCIAL



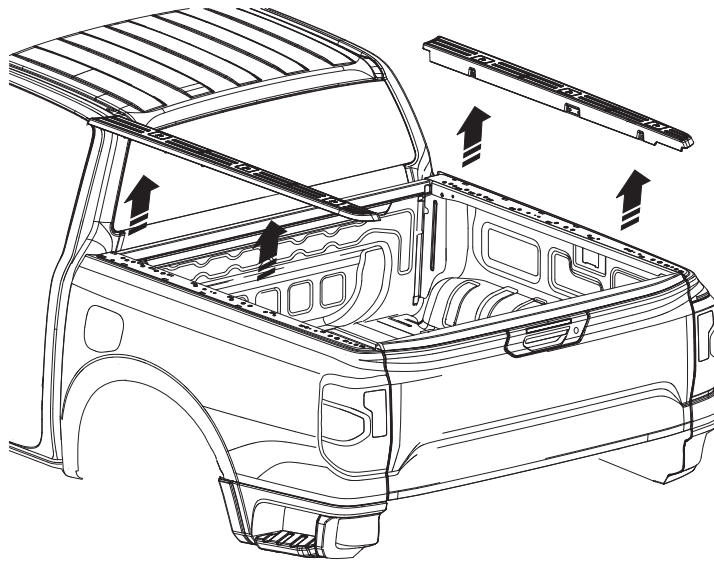
Code



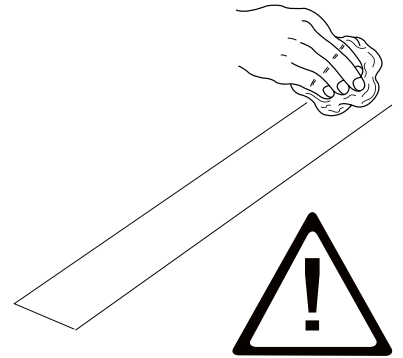
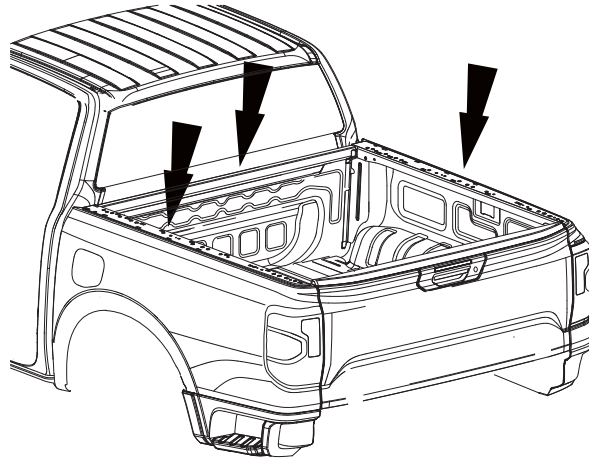
 Add Isolation to protect tub paint



1

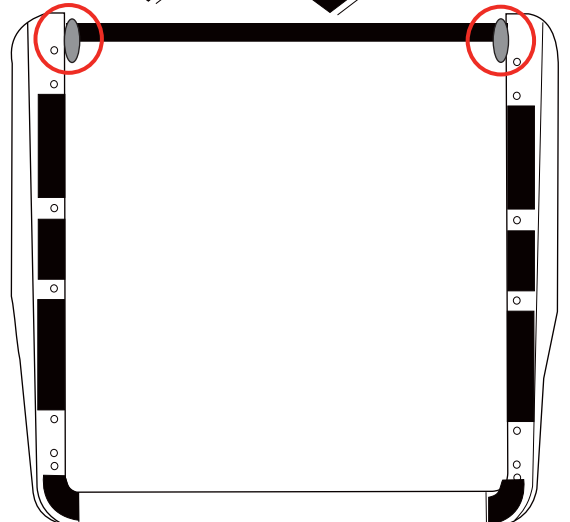
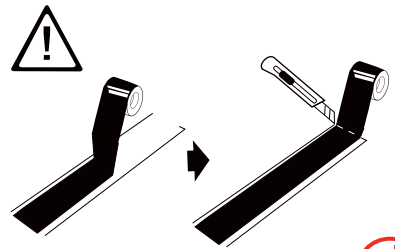
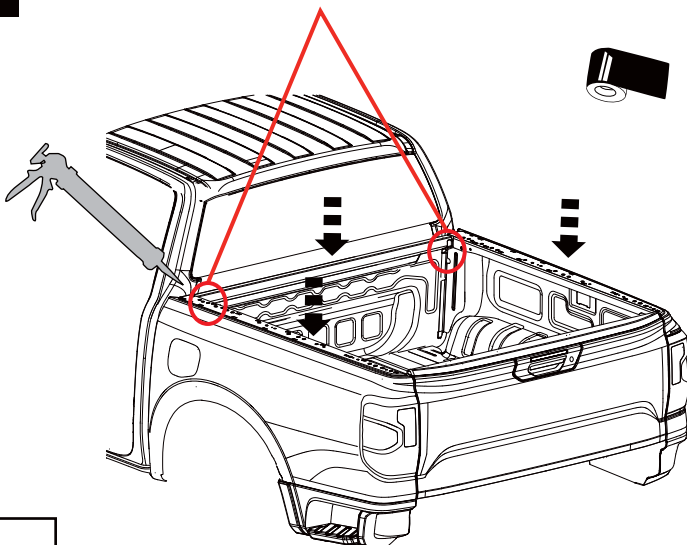


2

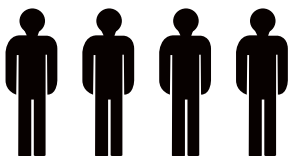
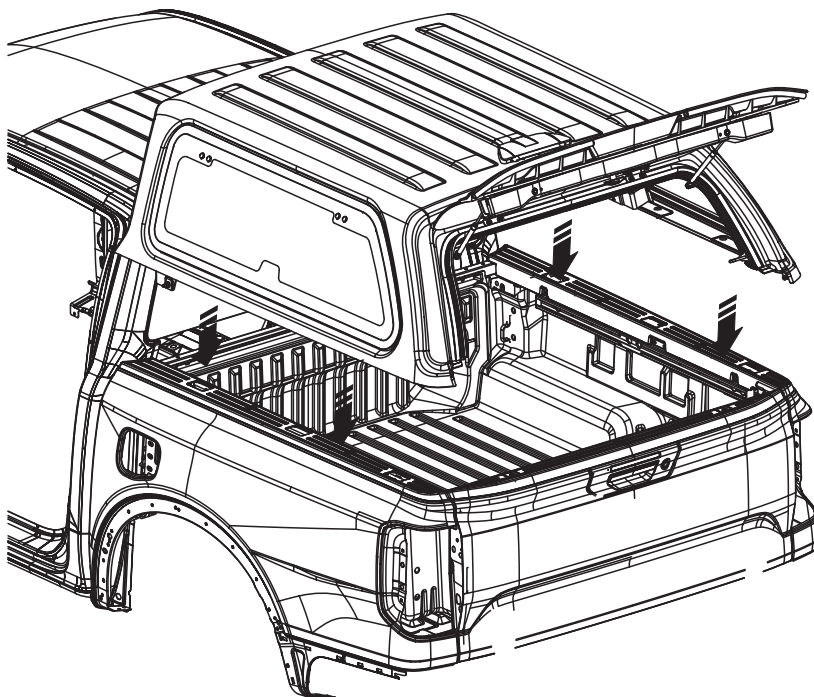
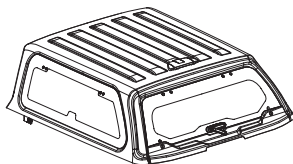
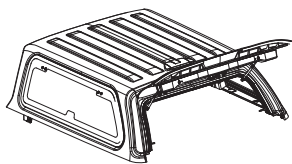


3

Added silicone to top of front corners. (LH and RH)

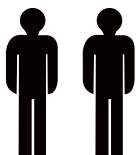
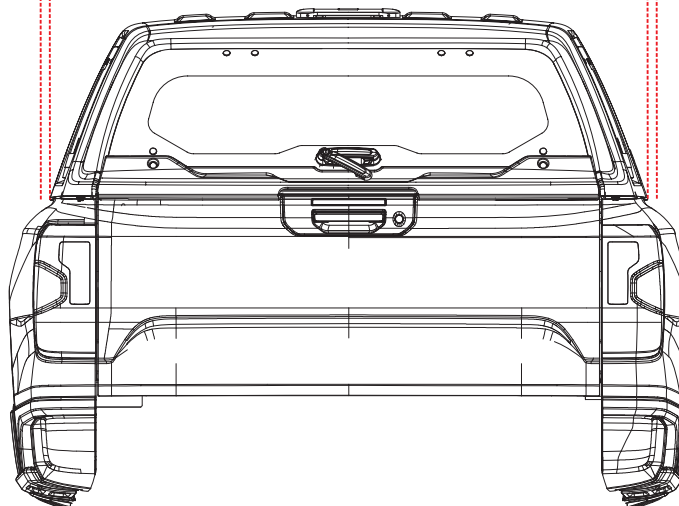
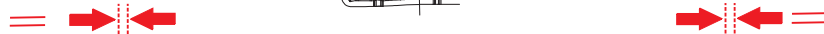
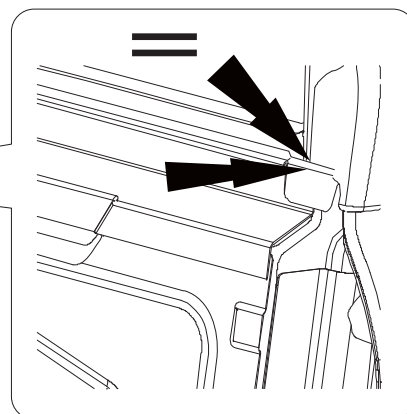
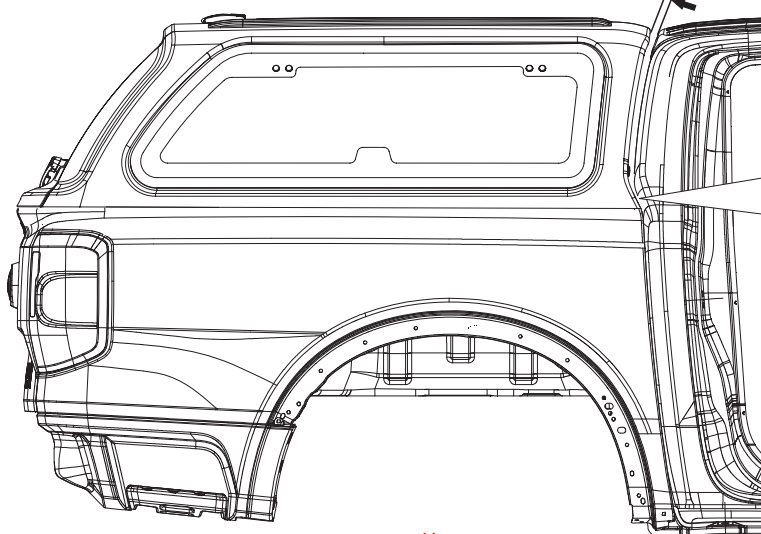


4

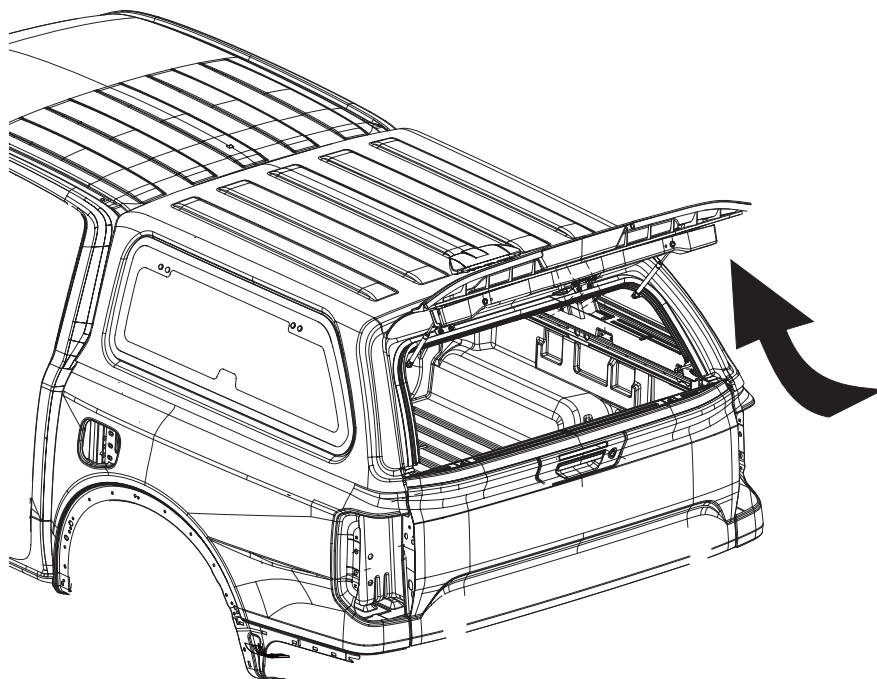


5

Minimum 25 mm.

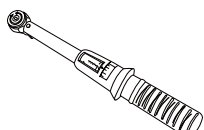


6

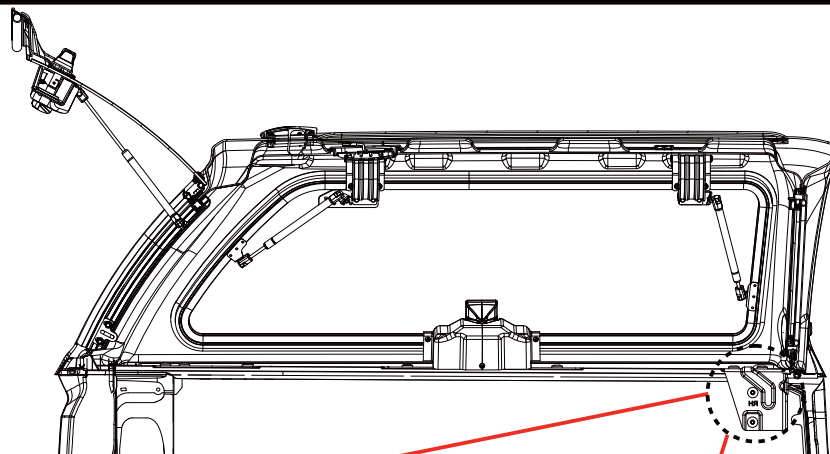


7

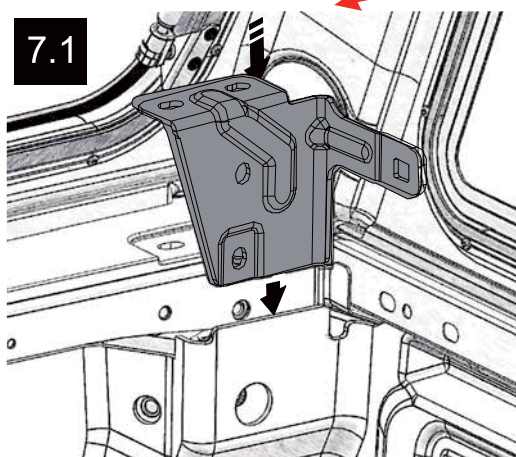
★ No. T40



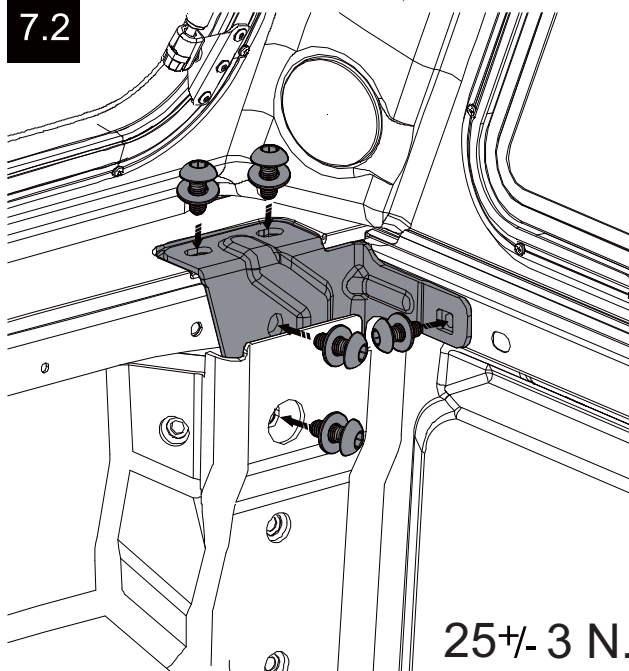
16± 1 N.m.



7.1



7.2



25± 3 N.m.



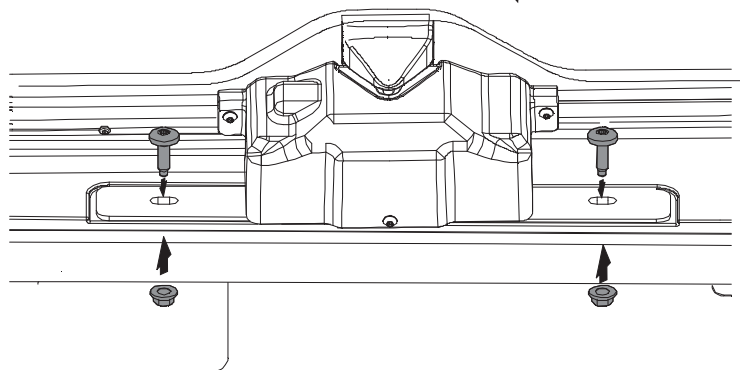
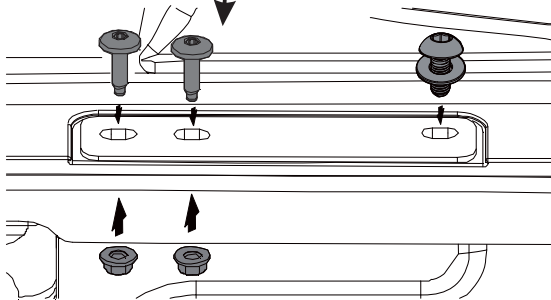
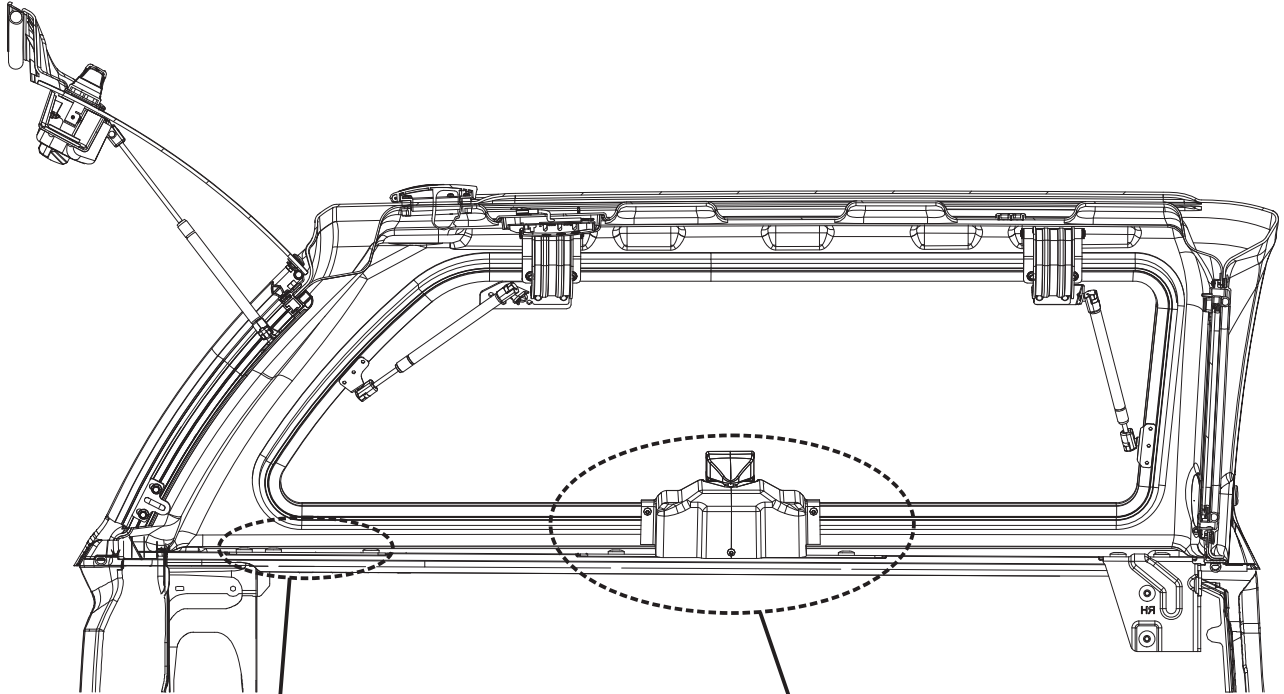
8



★ No.T40

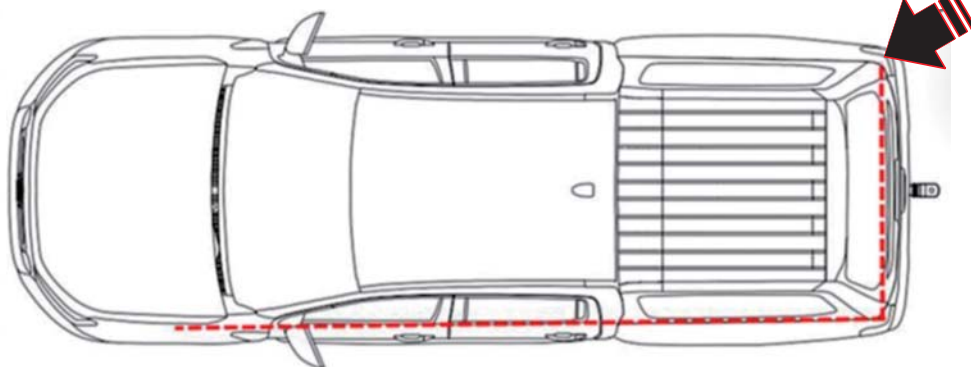
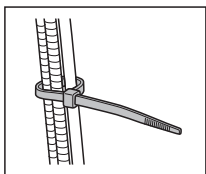


16 \pm 1 N.m.

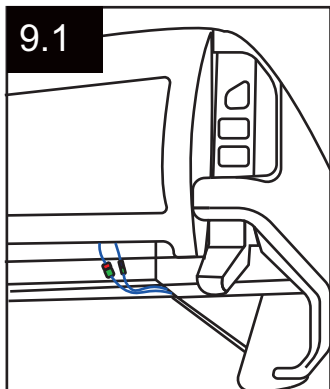


9

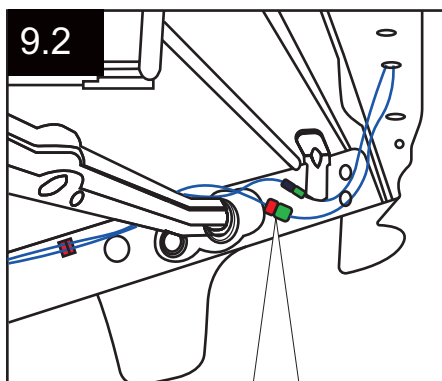
LIFT VEHICLE



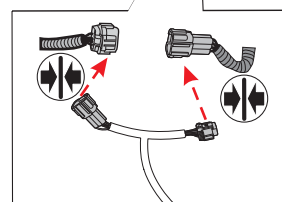
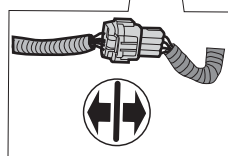
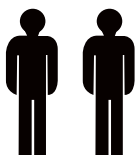
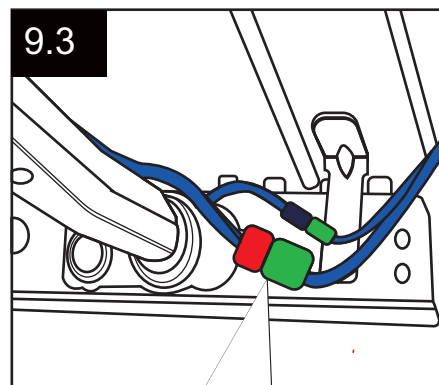
9.1



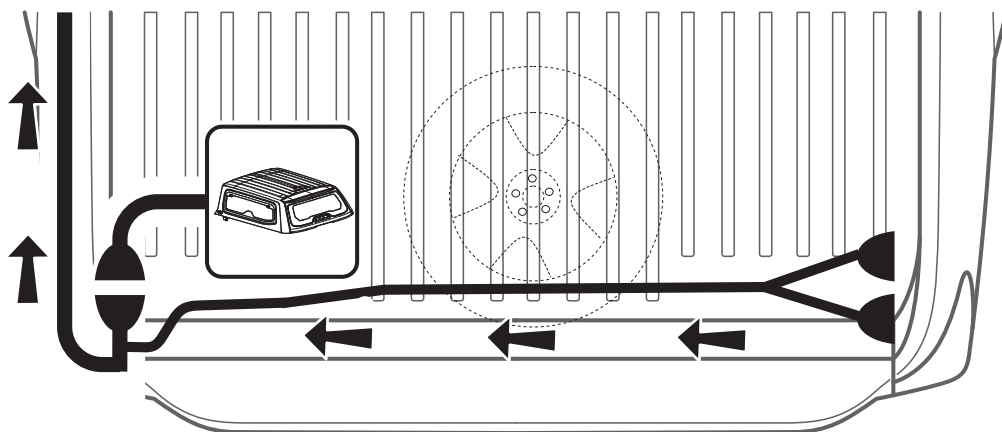
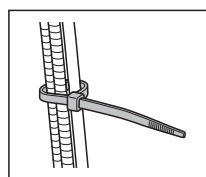
9.2



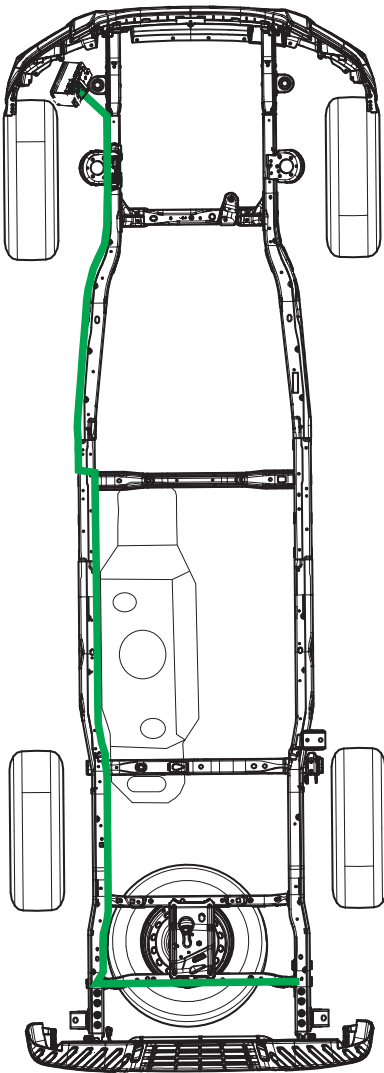
9.3



10



11

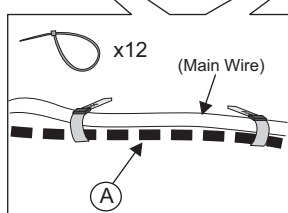
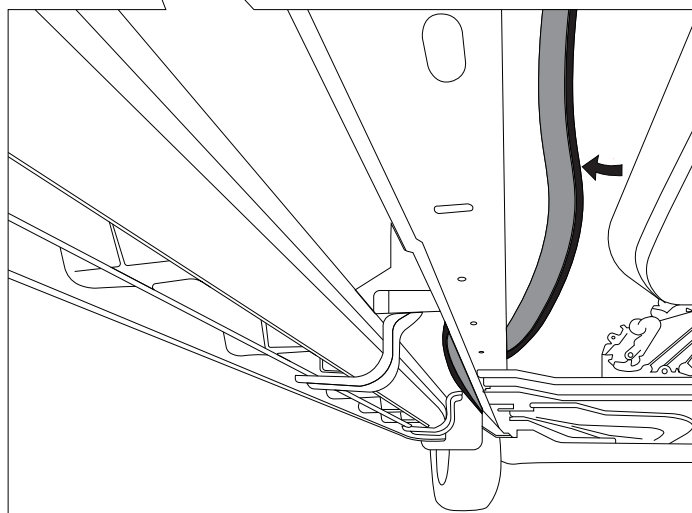
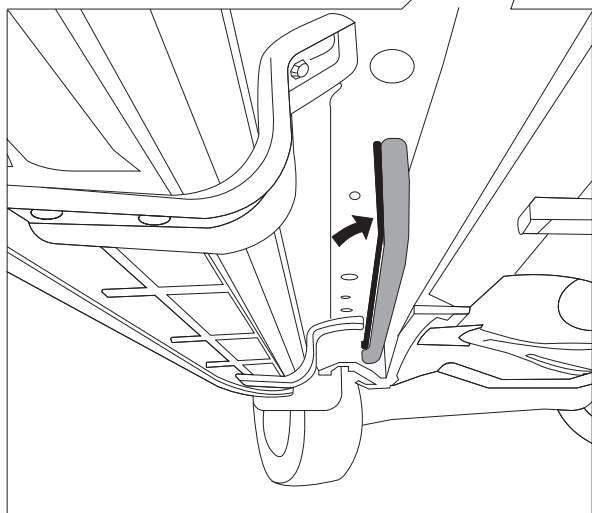
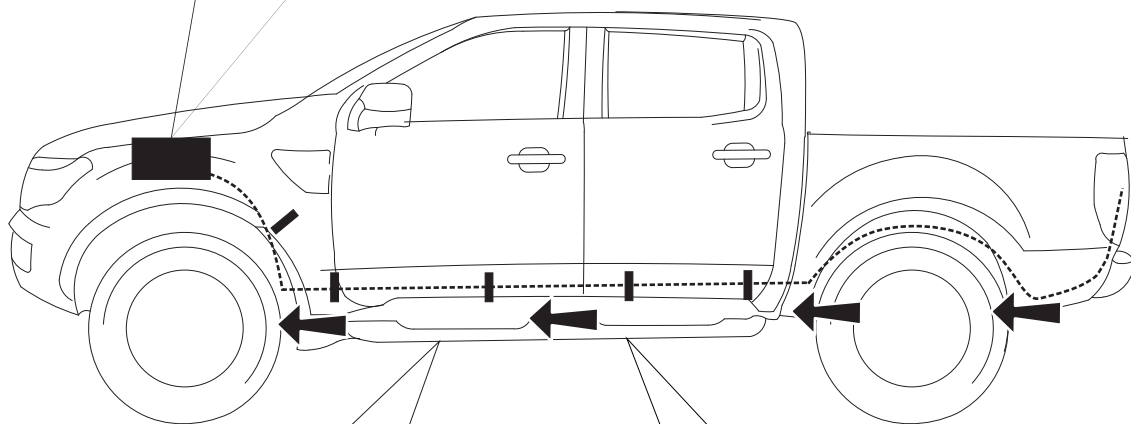
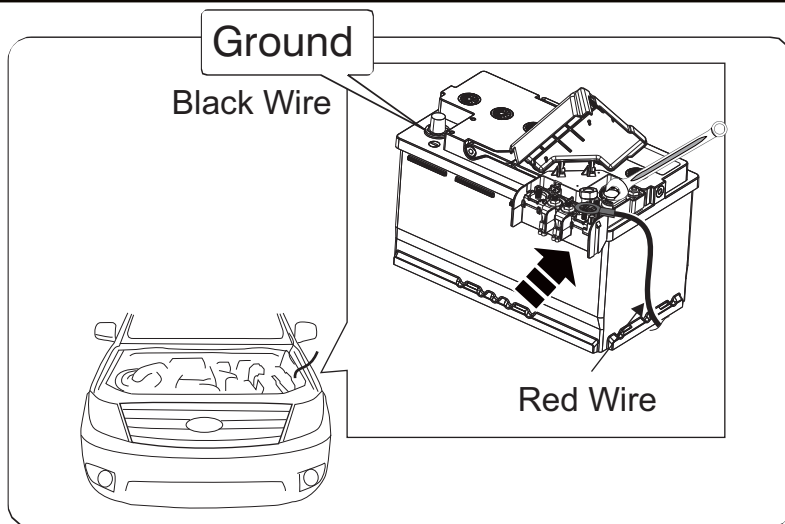
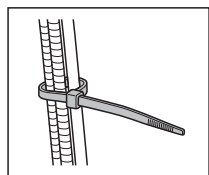


Canopy harness to follow to the main chassis wiring harness

Zip ties to be used every 300 mm. to secure the canopy harness to the chassis wiring harness.

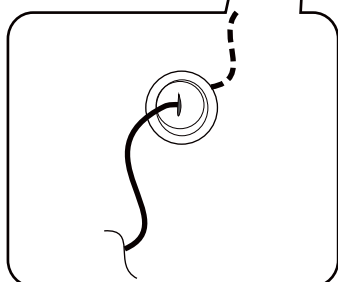
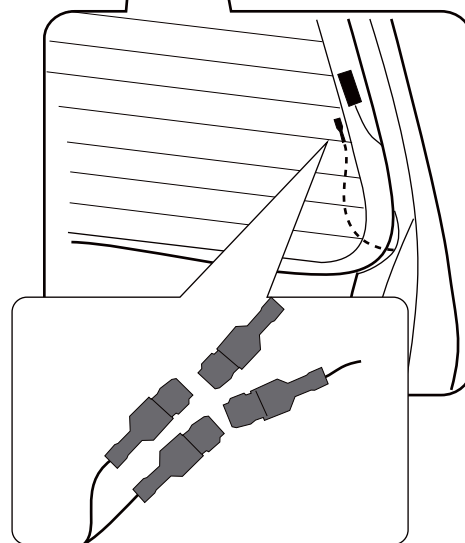
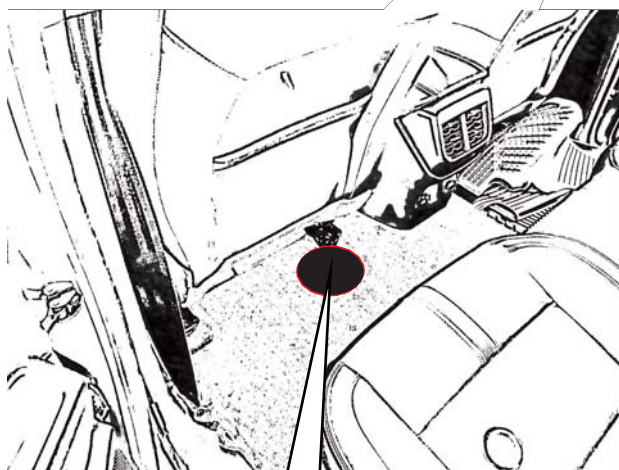
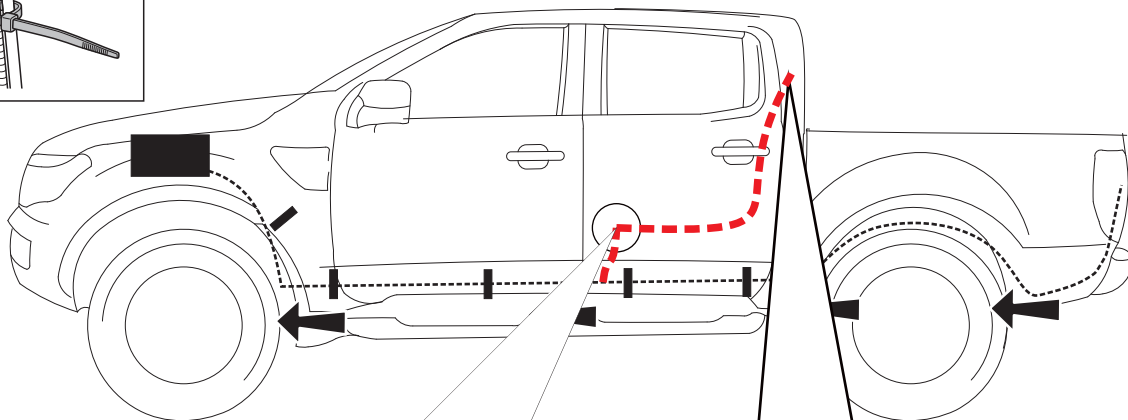
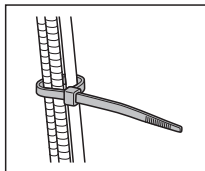
Canopy harness to route over the spare wheel and fuel tank

126

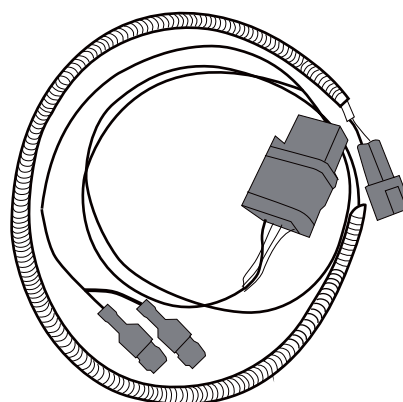


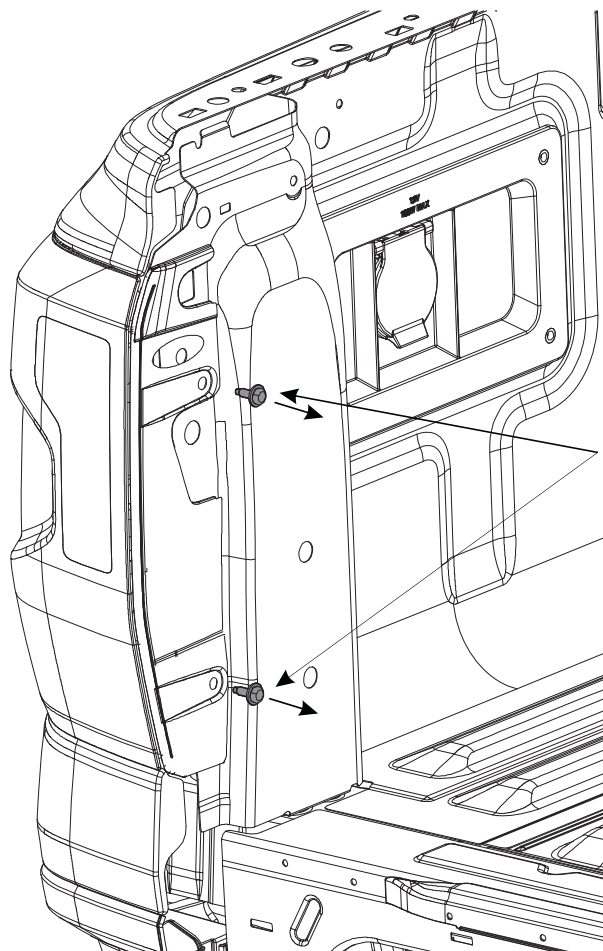
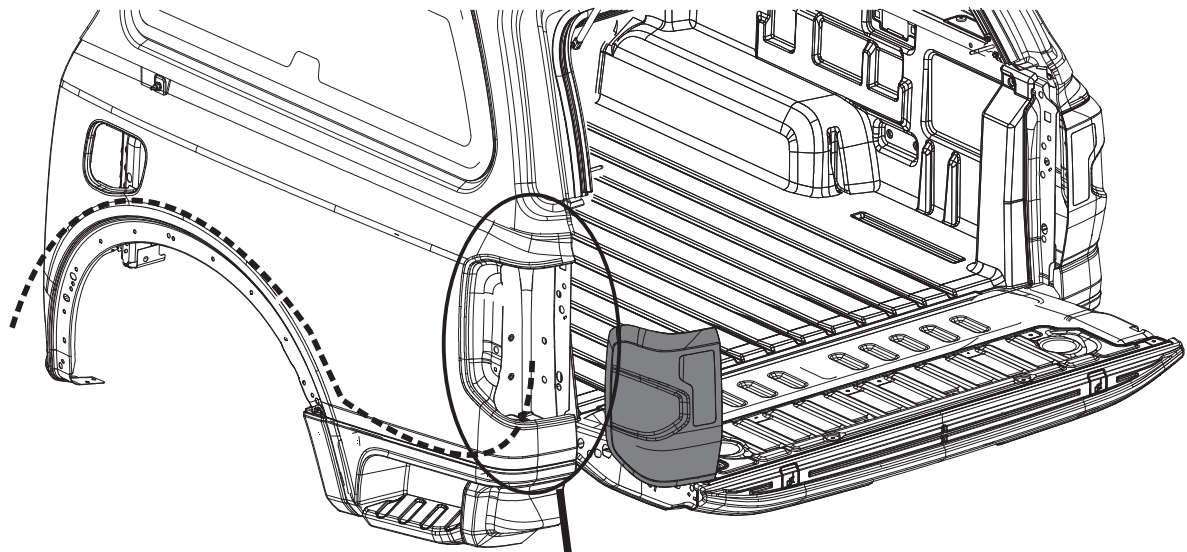
Every 300 mm.

136



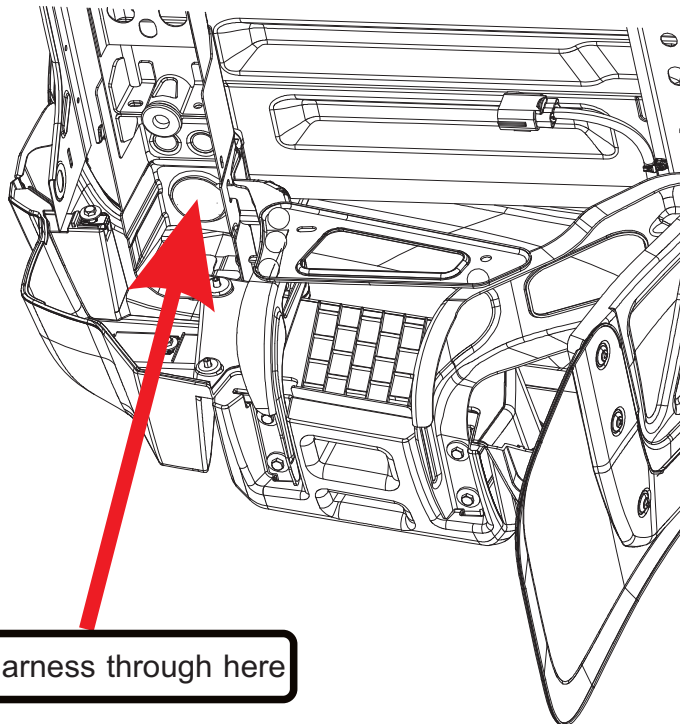
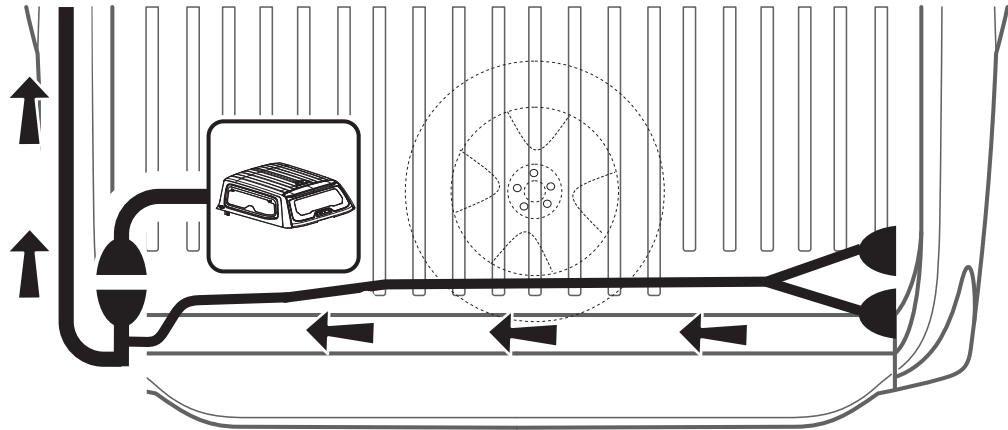
DEMIST OPTION
Note: Ford Australia have not





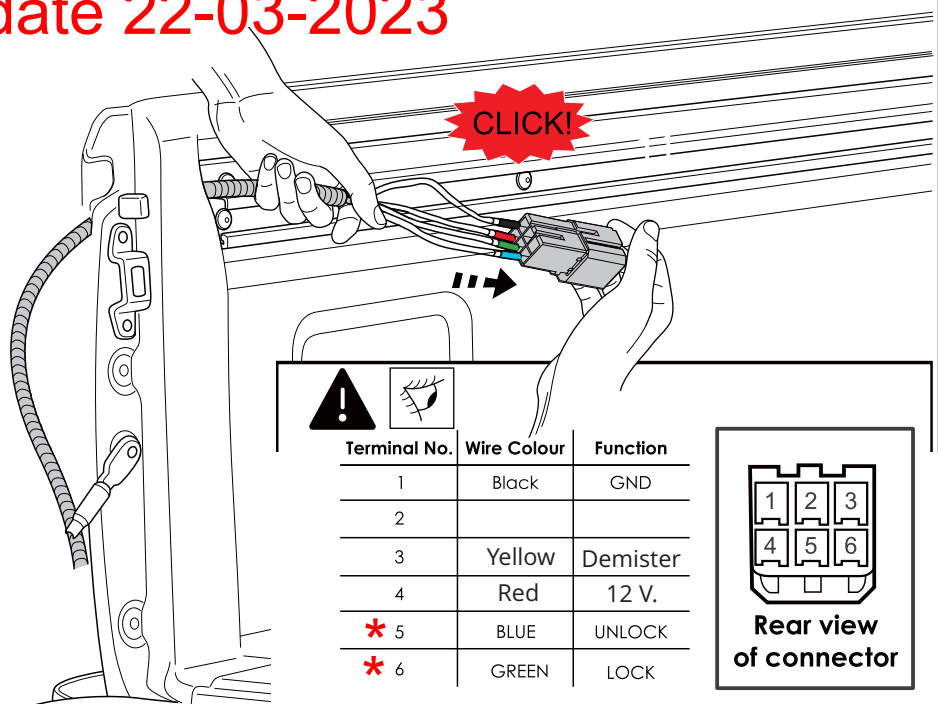
Remove Bolts.
Do not disconnect lamp harness.





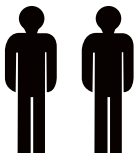
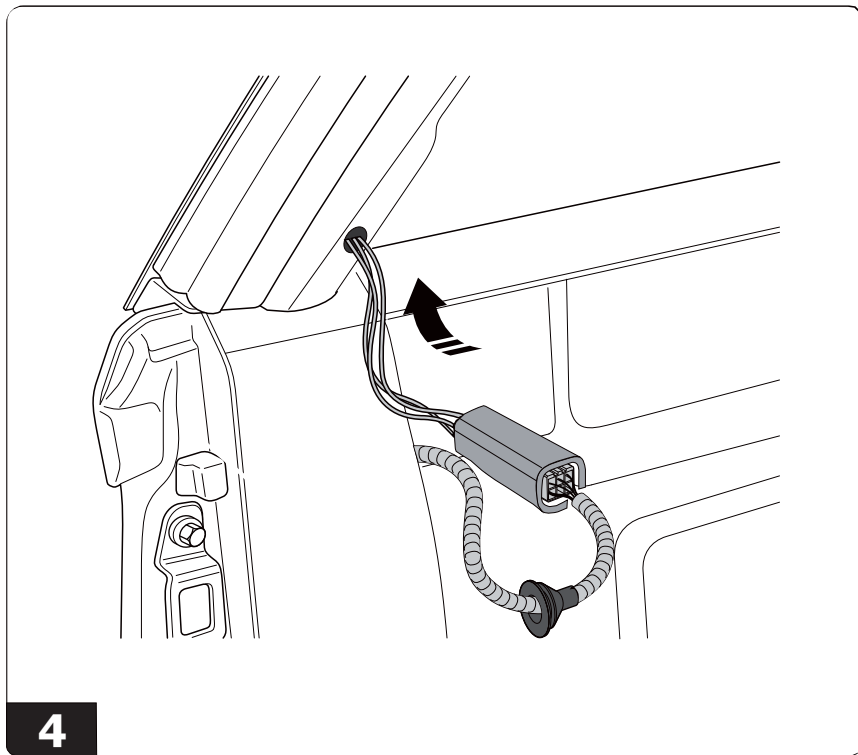
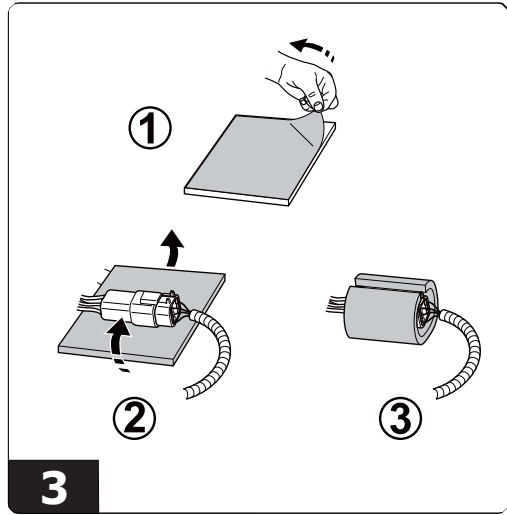
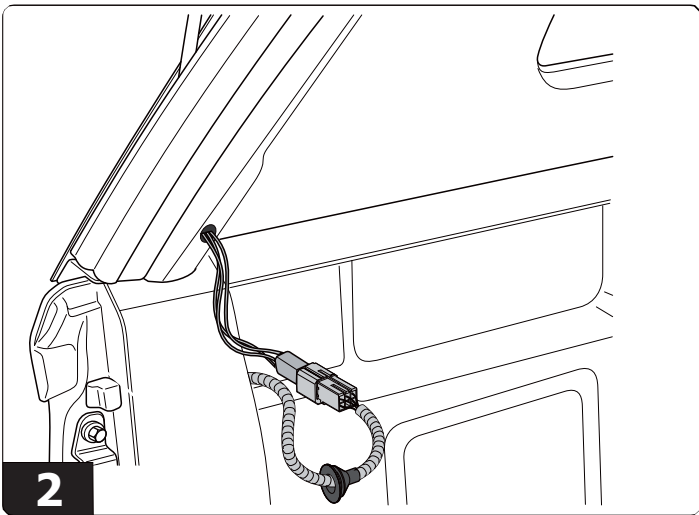
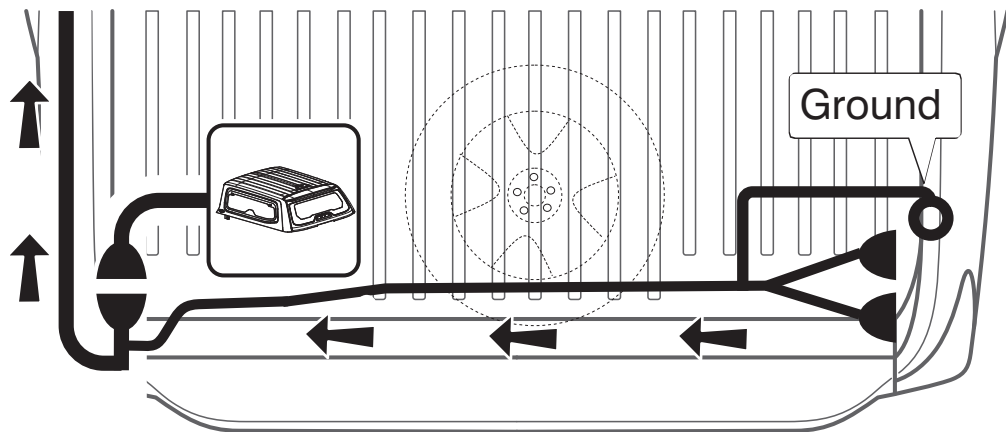
Feed canopy harness through here

update 22-03-2023

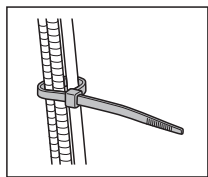


1

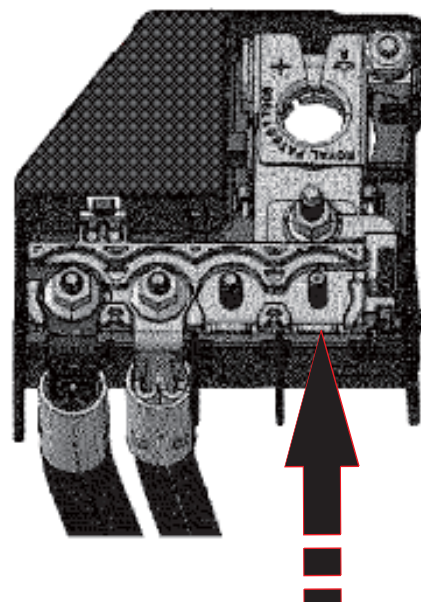
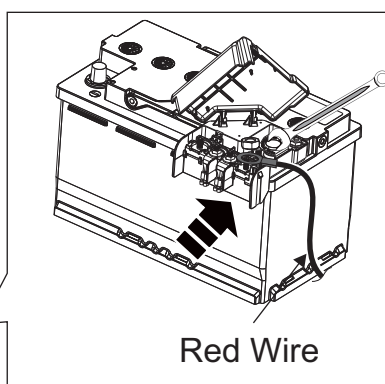
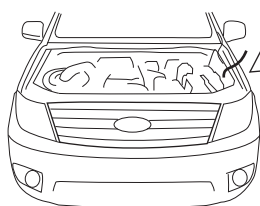
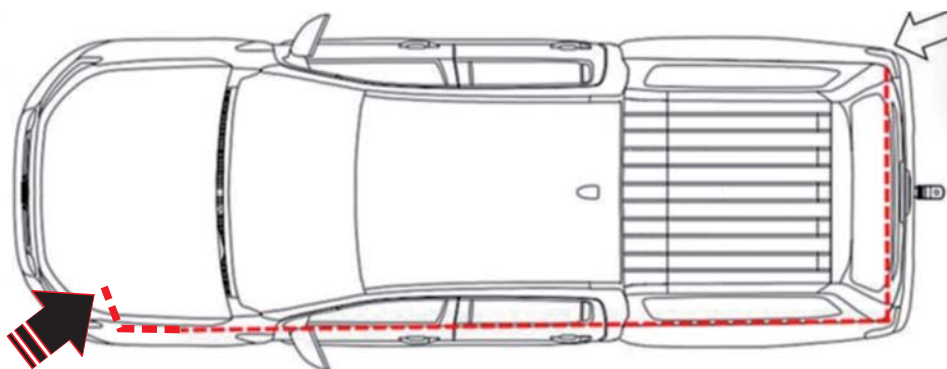
16



17



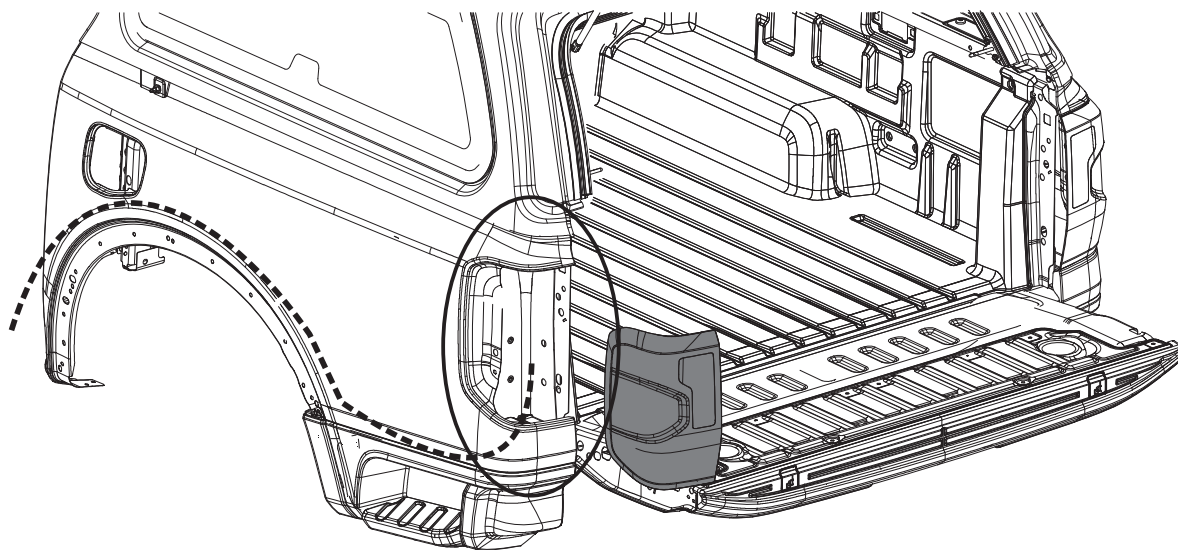
LIFT VEHICLE



Use empty Terminal to connect ring connector and supplied nut. Torque 10Nm+/- 1.5Nm

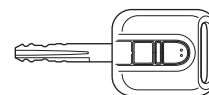
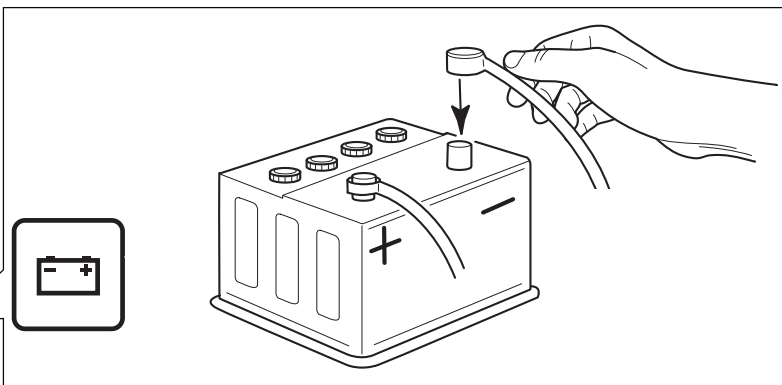
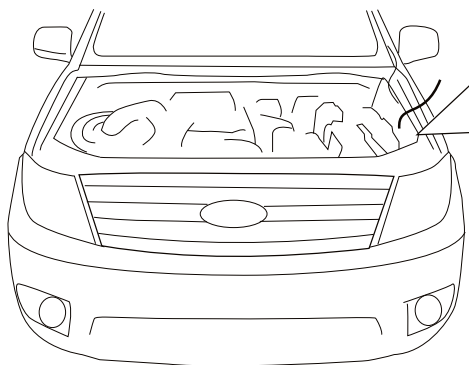
FOR TT BUILDS – NUT NOT PROVIDED. USE EXISTING TERMINAL

18



M6x16
TORQUE 5.4 + 0.9 N-m.

19



Code

FUNCTION CHECKS AFTER INSTALLATION

- Check Lock and Unlock feature on Canopy and tailgate are working correctly
- Check the unlatching buttons function correctly
- Ensure CHMSL, stop, park, indicators, licence plate lamps are functioning correctly
- Check to ensure canopy interior light turn on when opening the rear canopy hatch
- Check the lamp touch function (both lamps)